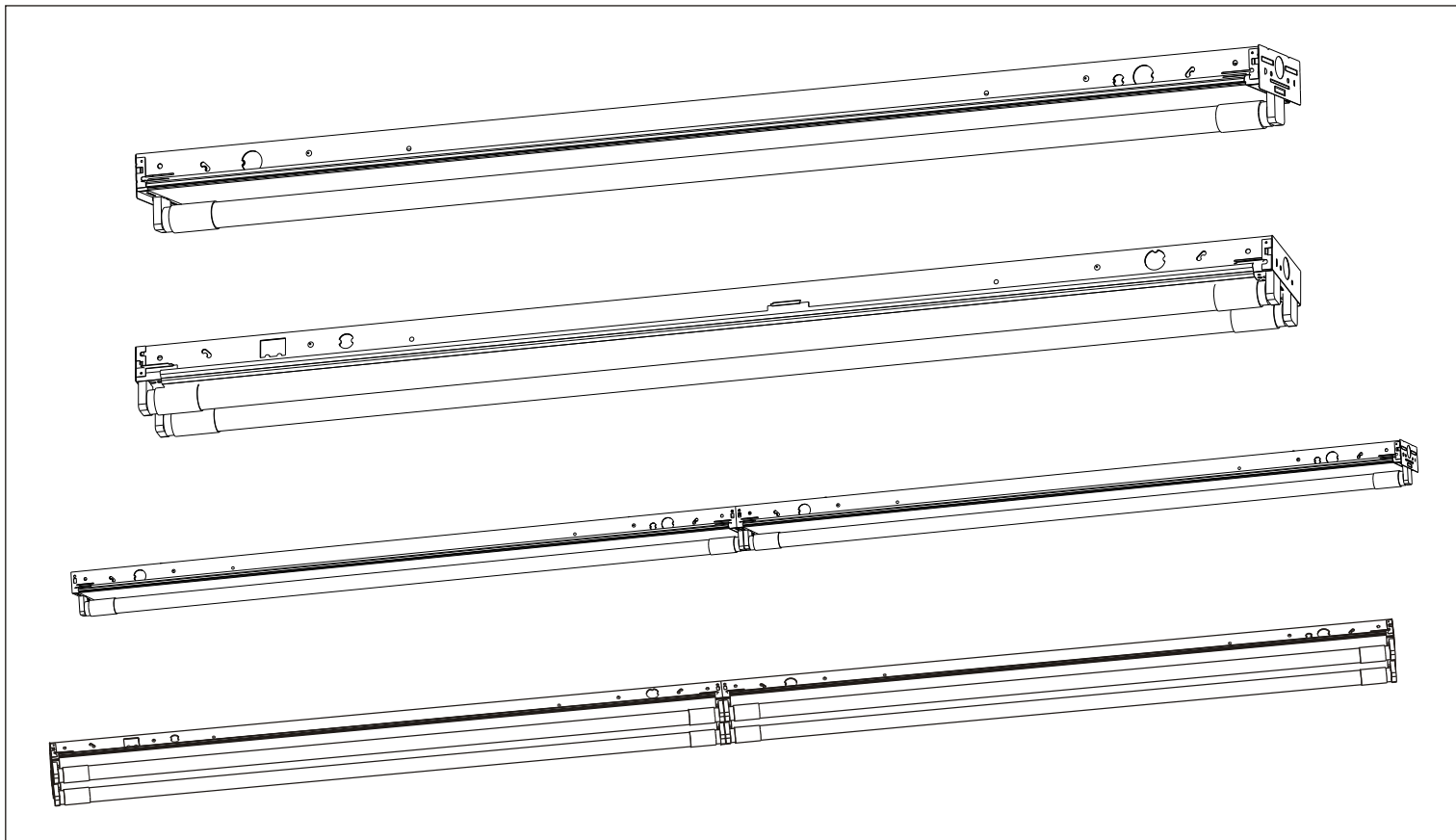


# INSTALLATION INSTRUCTIONS

## LED STRIP LIGHT



Fixture can NOT be used with a dimmer switch.

- To reduce the risk of death, personal injury or property damage from fire, electric shock, falling parts, cuts/abrasions, and other hazards read all warnings and instructions included with and on the the fixture box and all fixture labels.
- Before installing, servicing, or performing routine maintenance upon this equipment, follow these general precautions.
- Commercial installation, service and maintenance of luminaires should be performed by a qualified licensed electrician.
- For Residential installation: If you are unsure about the installation or maintenance of the luminaires, consult a qualified licensed electrician and check your local electrical code.
- DO NOT INSTALL DAMAGED PRODUCT!

### **⚠ WARNING: RISK OF ELECTRICALSHOCK**

- Turn off electrical power at fuse or circuit breaker box before wiring fixture to the power supply.
- Turn off the power when you perform any maintenance.
- Verify that supply voltage is correct by comparing it with the luminaire label information.
- Make all electrical and grounded connections in accordance with the National Electrical Code and any applicable local code requirements.
- All wiring connections should be capped with UL approved wire connectors.

### **⚠ WARNING: RISK OF BURN**

- Allow fixture to cool before handling. Do not touch enclosure or light source.
- Do not exceed maximum wattage marked on luminaire label.
- Follow all lamp manufacturer's warnings, recommendations and restrictions for: driver type, burning position, mounting locations/methods, replacement, and recycling.

### **⚠ CAUTION: RISK OF INJURY**

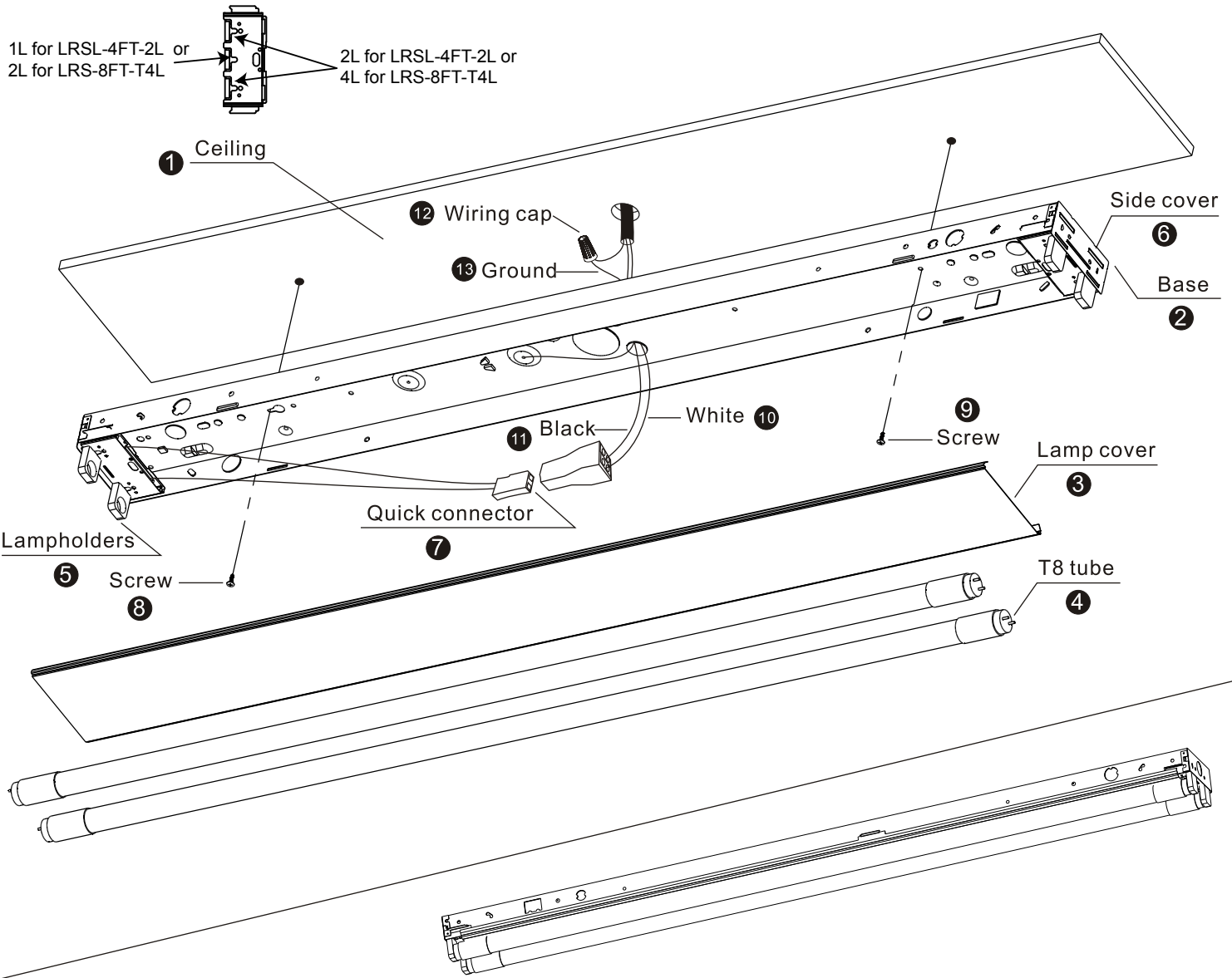
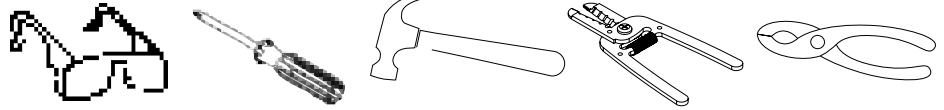
- Wear gloves and safety glasses at all times when removing luminaire from carton, installing, servicing or performing maintenance.
- Avoid direct eye exposure to the light source while it is on.
- Account for small parts and destroy packing material, as these may be hazardous to children.

### **⚠ CAUTION: RISK OF FIRE**

- Keep combustible and other materials that can burn away from luminaire and lamp/lens.
- Minimum 90°C supply conductors.

# INSTALLATION FIGURES

## REQUIRED TOOLS



## Installation steps:

1. Opening the Lights cover.
2. Fixing the fixtures base on the ceiling.
3. Connecting wires (white to white, black to black, green to green).
4. Fixing the socket for Tubes.
5. Installation and fixing the cover.
6. Installation the tubes.
7. Installation Done.

If this fixture fails to operate properly, use the guide below to diagnose and correct the problem.

- Verify that fixture is wired properly.
- Verify that fixture is grounded correctly.
- The line voltage at the fixture is correct.